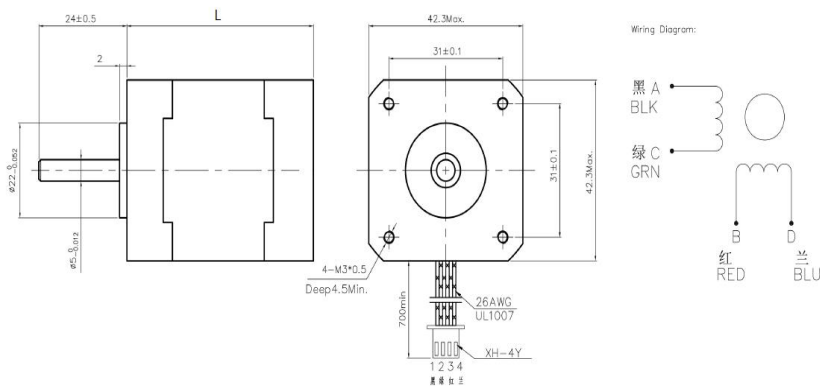


# JUGETEK

NEMA 17 Hybrid Stepper Motor Specifications:

Model No.	Step Angle (°)	Motor Length (L)mm	Current	Resistance	Inductance	Holding Torque kg.cm	No. of Leads No.	Detent Torque g.cm	Rotor Inertia g.cm	Mass Kg
			/Phase A	/Phase Ω	/Phase mH					
42HS40-1704A	1.8	40	1.7	1.5	2.3	4.2	4	180	54	0.28
42HM40-1684A	0.9	40	1.68	1.65	3.2	3.3	4	180	54	0.28
42HS48-1684A	1.8	48	1.68	3.3	4	3.17	6	220	68	0.35
42HM48-1684A	0.9	48	1.68	1.65	4.1	4.4	4	220	68	0.35
42HS48-2504A	1.8	48	2.5	1.6	1.8	5	4	220	68	0.34
42HS60-1704A	1.8	60	1.7	3	6.2	7.3	4	220	68	0.55
42HM60-1684A	0.9	60	1.68	3	6.2	7.3	4	220	68	0.55

Dimension:



Price list:

Product	Unit Price for 50pcs	Unit Price for 100pcs	Unit Price for 500pcs	Unit Price for 1000pcs	
42HM34-1334A	6.4	6.2	5.9	5.6	0.9
42HS40-1704A	6	5.8	5.6	5.4	
42HM40-1684A	7	6.8	6.4	6.2	0.9
42HS48-1684A	6.4	6.2	5.9	5.6	
42HM48-1684A	8.6	8.4	8	7.8	0.9
42HS48-2504A	6.5	6.3	6	5.7	
42HS60-1704A	8.6	8.4	8	7.8	0.9
42HM60-1684A	9.8	9.6	9.2	8.8	

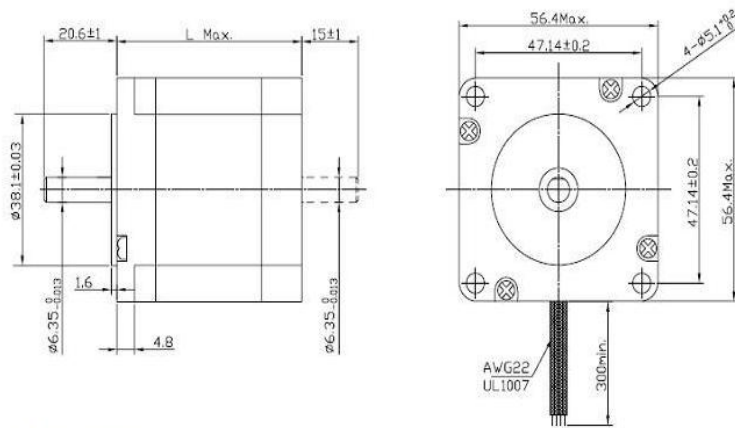
Price is quoted in USD, 100pcs and below in stock supply

# JETETEK Stepper Motor Specialist

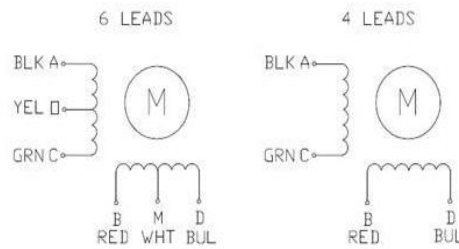
## NEMA 23 Hybrid Stepper Motor Specifications:

Model No.	Step Angle (°)	Motor Length (L)mm	Current	Resistance	Inductance	Holding Torque kg.cm	No. of Leads No.	Detent Torque g.cm	Rotor Inertia g.cm	Mass Kg
			/Phase A	/Phase Ω	/Phase mH					
57HS41-2804A	1.8	41	2.8	0.7	1.4	0.55	4	250	150	0.47
57HS51-2804A	1.8	51	2.8	0.83	2.2	1.01	4	350	280	0.68
57HS56-2804A	1.8	56	2.8	0.9	2.5	1.26	4	350	280	0.68
57HM56-2804A	0.9	56	2.8	0.9	2.5	1.26	4	350	280	0.68
57HS76-2804A	1.8	76	2.8	1.13	3.6	1.89	4	600	440	1.1
57HM76-2804A	0.9	76	2.8	1.13	3.6	1.89	4	600	440	1.1
57HS112-4204A	1.8	112	4.2	0.9	3.8	2.8	4	1200	800	1.4

### Dimension :



### Wiring Diagram:



### Price List:

Product	Unit Price for 10pcs	Unit Price for 50pcs	Unit Price for 100pcs
57HS42-2804A	9.8	8.9	8.4
57HM42-2004A	11.6	11.2	10.8
57HS51-2804A	10	9.4	8.9
57HM51-2004A	13.5	12.5	11.5
57HS56-2804A	10.5	9.8	9.4
57HM56-2804A	14.5	13.5	12.5
57HS76-2804A	13.5	12.5	11.6
57HM76-2804A	19	18.5	18
57HS112-4204A	20	19	18.5

Price is quoted in USD, 30pcs and below in stock supply